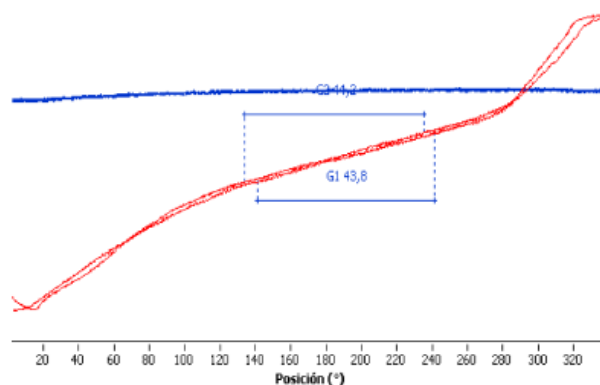


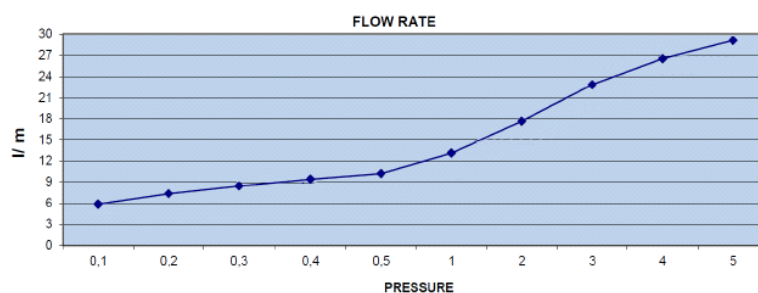
Technical specifications

Standarts	EN-1111 GB QB/T2806-2006
Burst pressure	>25 bar
Life cycle	EN 1111 50,000 cycles
Max. Hot water temperature	70 °C
Noise level	18,80 ÷ 21,10 db
Smooth feeling movement	
Turn left-right	0,10 ÷ 0,30 Nm
Sensitivity	42 mm
Cold water supply failure test	Perfect cutting
Flow rate	23 l/min at 3 bar

Sensitivity curve

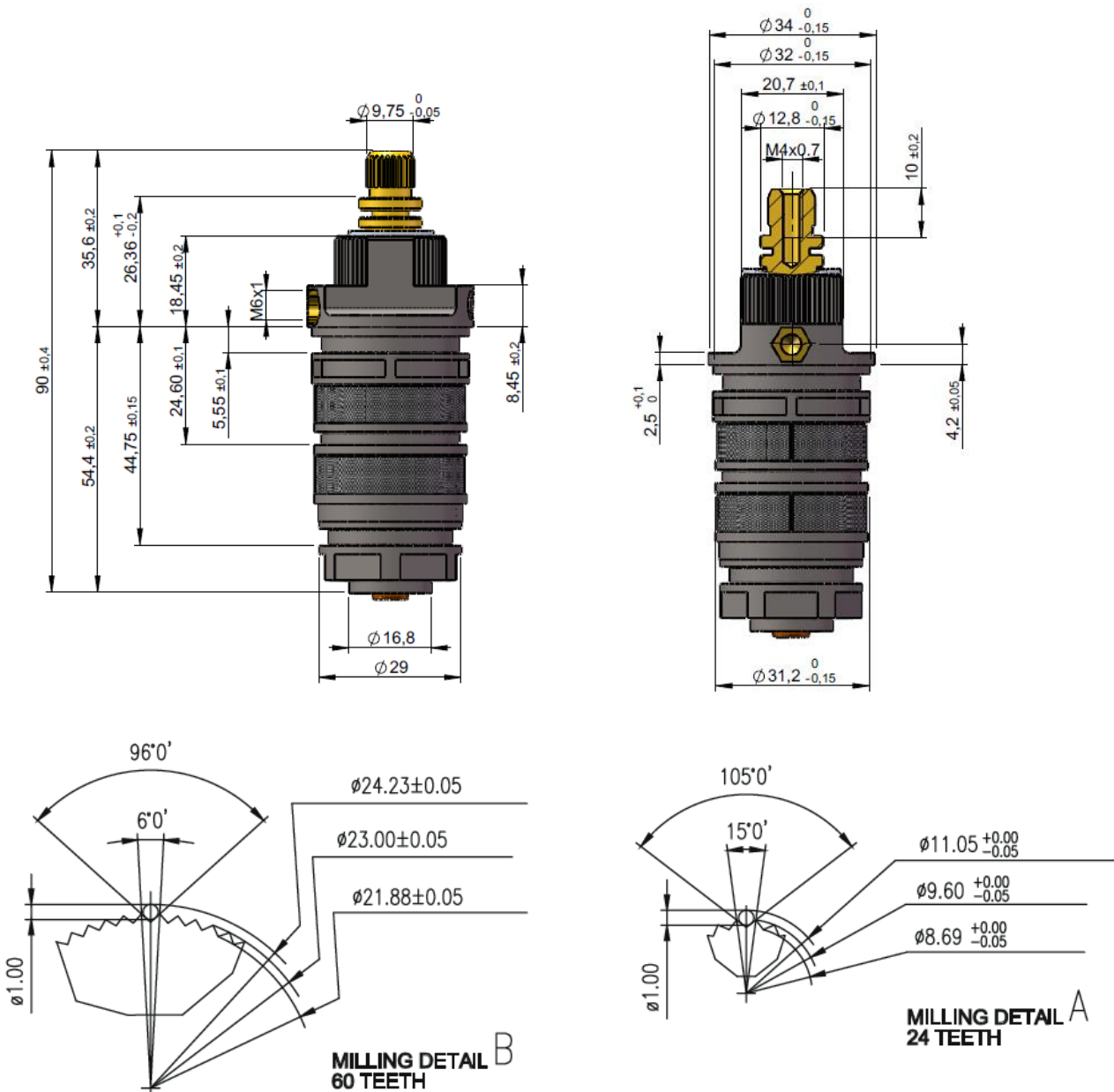


Flow rate curve

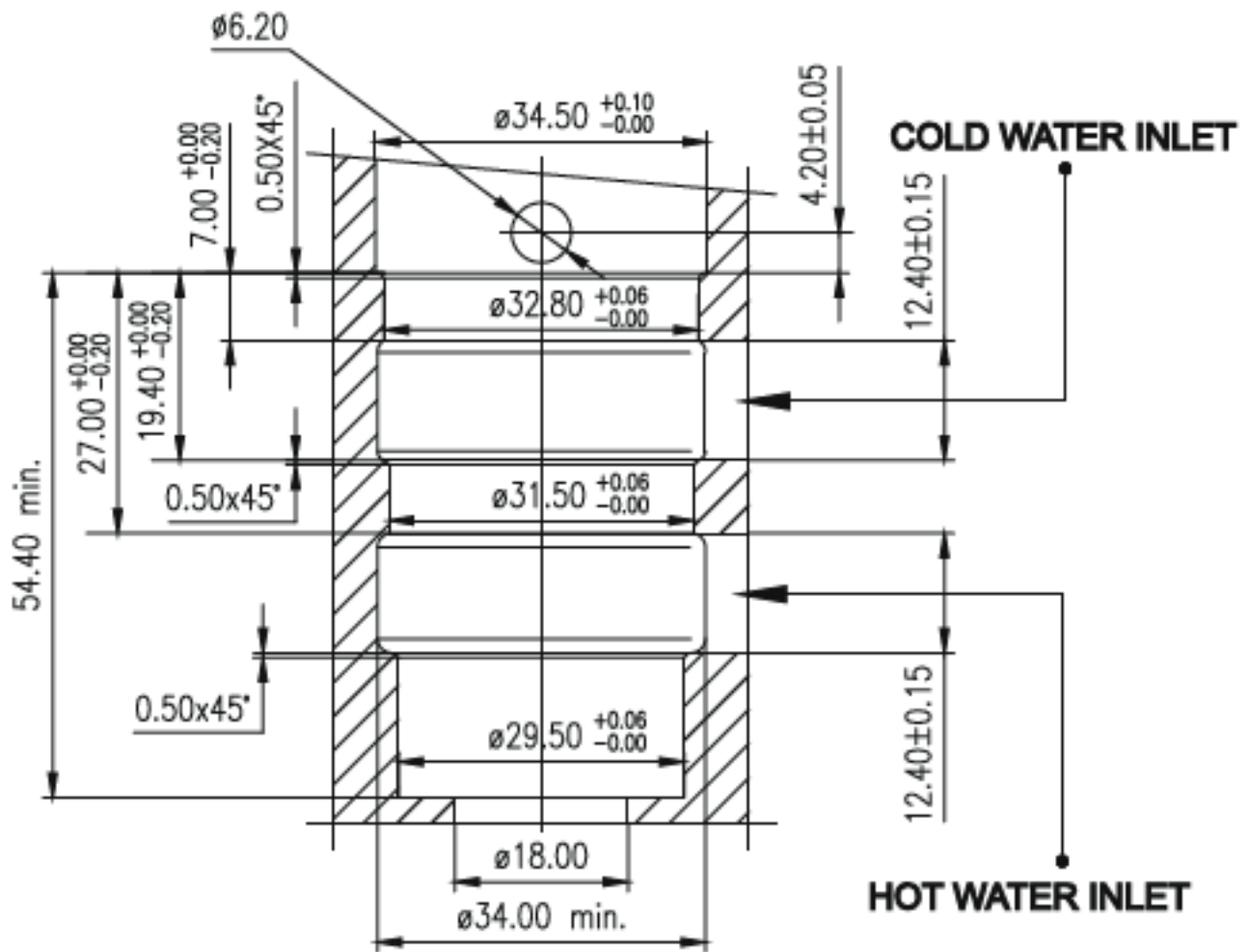


Thermostatic
cartridge
TM001

Technical dimensions



Machining tips



Thermostatic
cartridge
TM001

Graph of rotation angle vs. temperature

