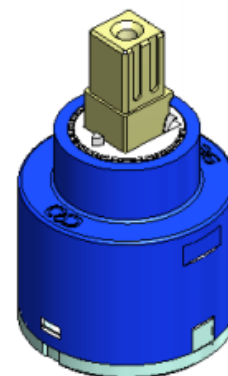


# SN-35 S/D ENDURA

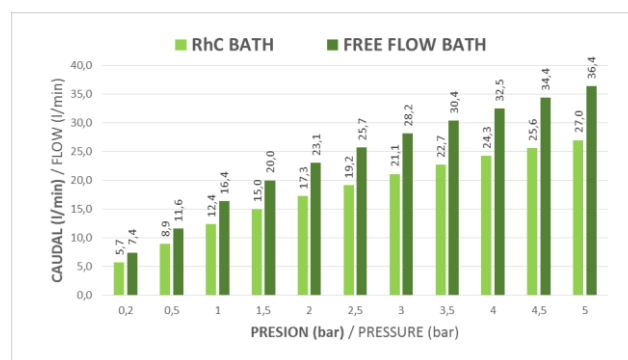
**DUE**  
Single lever cartridge  
Standard 35mm  
**08SN35S3001**



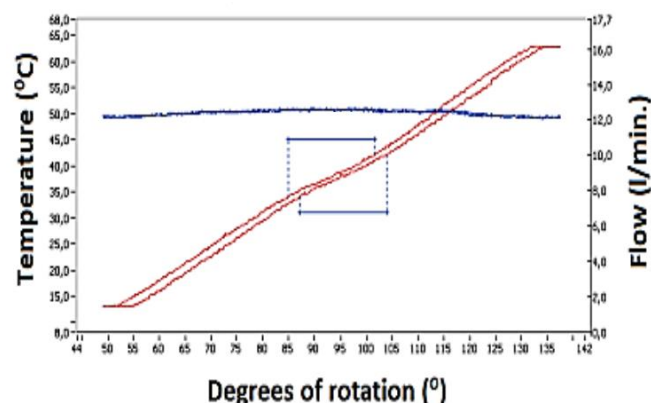
## Technical specifications

Nut torque/Pitch M1,5	10-12 N.m
Opening angle	25°
Rotation angle	90°
Working pressure (recommended)	1 - 5 bar
Burst pressure	>50 bar
Life cycle	EN-817 NF U3 (x2) ASME 112.18.1 M GB18145
	175,000 cycles 1,000,000 cycles 143,000 cycles
Sensitivity (r=45mm)	>12mm
Fidelity	<2°C
Constant 63°C & 50°C (6 l/min-3 l/min)	< 4°C - < 6°C
Max. Hot water	90 °C
Max. Hot water recommended	60 - 65 °C
<b>Flow rate at 3 bar</b>	
Free flow	28,20 l/min
C-Restrictor	21,10 l/min
Noise level (C-Restrictor)	25,5 +/- 2dB <sup>(1)</sup>
Saving Device (DUE) according to NF EN 817	
<b>Operation Torque (3 bar)</b>	
Open - close	0,20 ÷ 0,35 Nm
Turn left-right	0,20 ÷ 0,35 Nm

## Flow



## Sensitivity

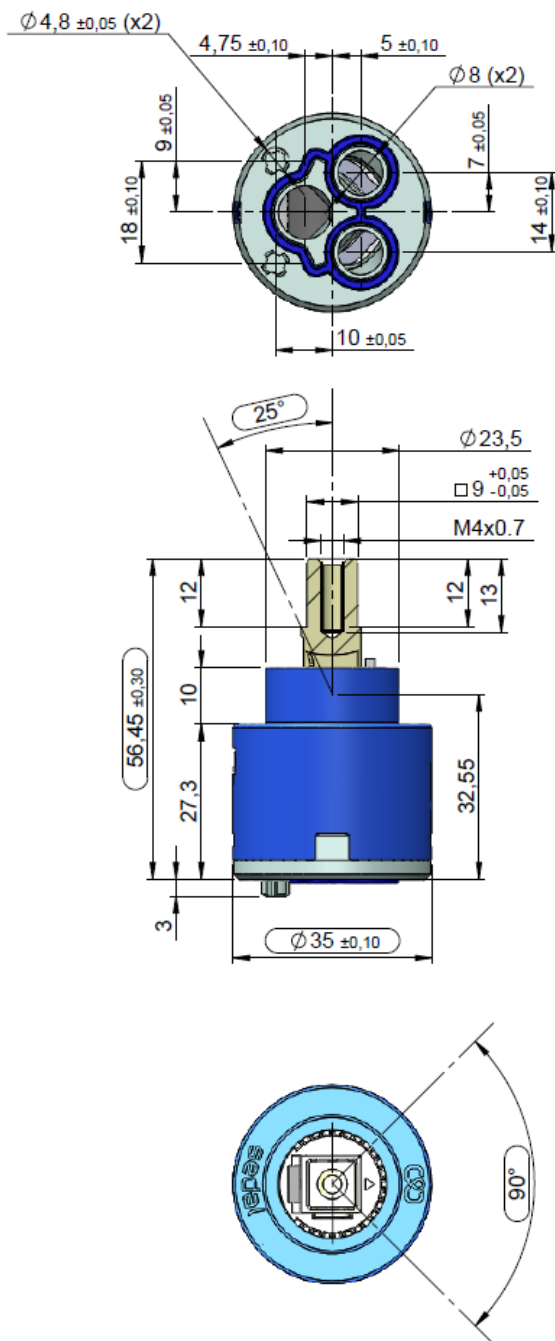


(1) Considering restrictor & faucet body type

Single lever cartridge Standard 35mm

SN-35 S/D  
ENDURA  
DUE

### Technical dimensions



### Machining prescription

