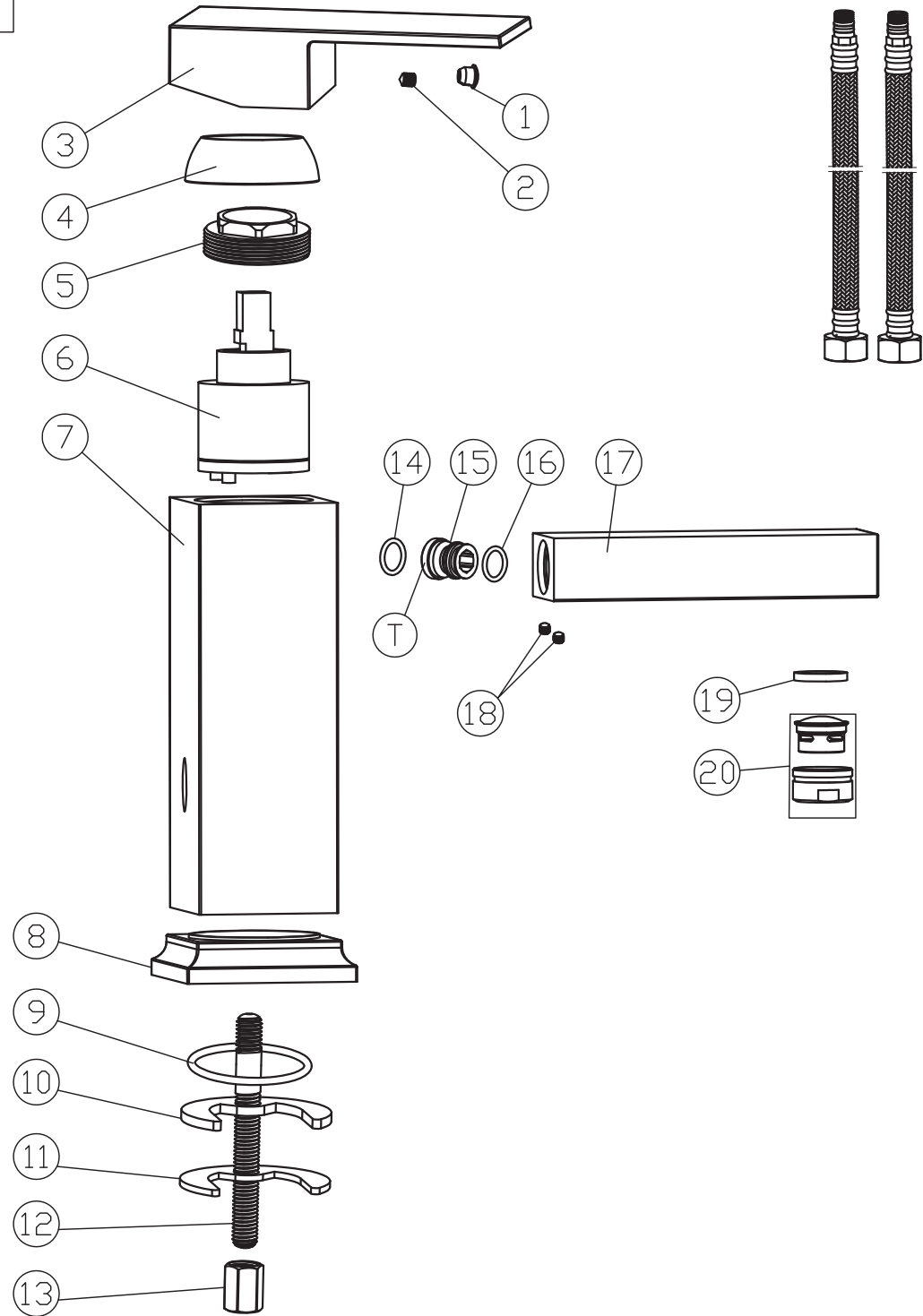


PGVM16

PaulGurkes



20	M24021	24		1
19	8J213X158X3	24	21.3X15.8X3	1
18	8EM5X4		M5X4	2
17	80G16X47A	16X47		1
16	8J136X19A	0	13.6X1.9	1
15	8ZJ16130	16130		1
14	8J16X2A	0	16X2	1
13	8NM8			1
12	8BM8X070	M8	L=70	1
11	80N11071	40		1
10	81N11071	40		1
9	8J51X3	0	51X3	1
8	8DZFA000			1
7	80T16097A	16097		1
6	J10350	35		1
5	8YG35000	35		1
4	8ZG97000	97		1
3	80P35VM2	VM		
2	8CM5X5		M5X5	1
1	80N81010			1