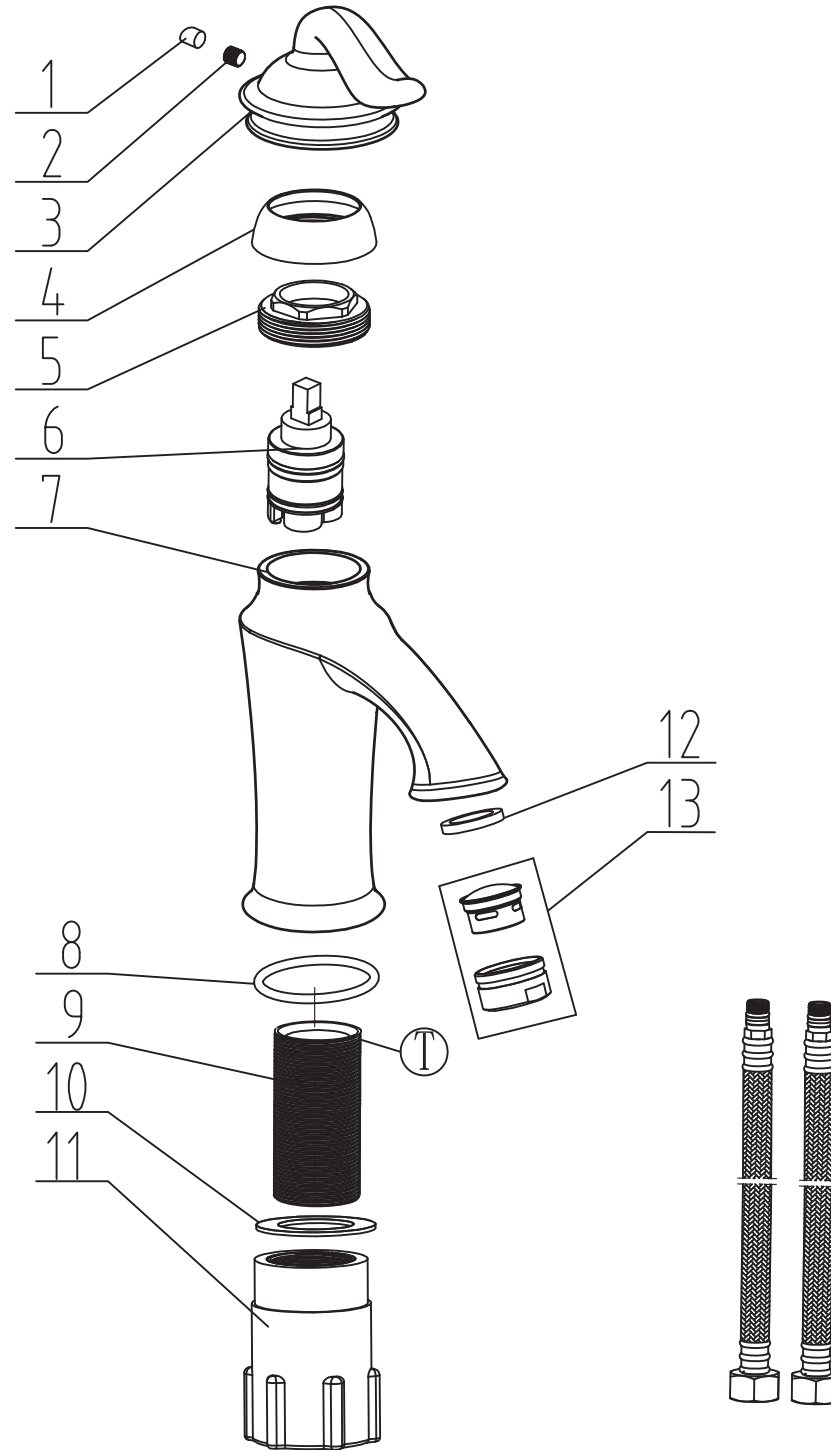


PGKY16

PaulGurkes



13	M24021	24		1	
12	8J213X158X3	24	21.3X15.8X3	1	NBR
11	7NM56Z55	56Z55		1	
10	8J49X33X2			1	NBR
9	85T16303	60 33		1	
8	8J42X3	0	42X3	1	NBR
7	80T1627301	16273		1	
6	J10351MZ2	35		1	
5	8YG35000	35		1	
4	8ZG97000	97		1	
3	80P35MQ2	MQ		1	
2	8EM5X5		M5X5	1	
1	80N82050	5		1	