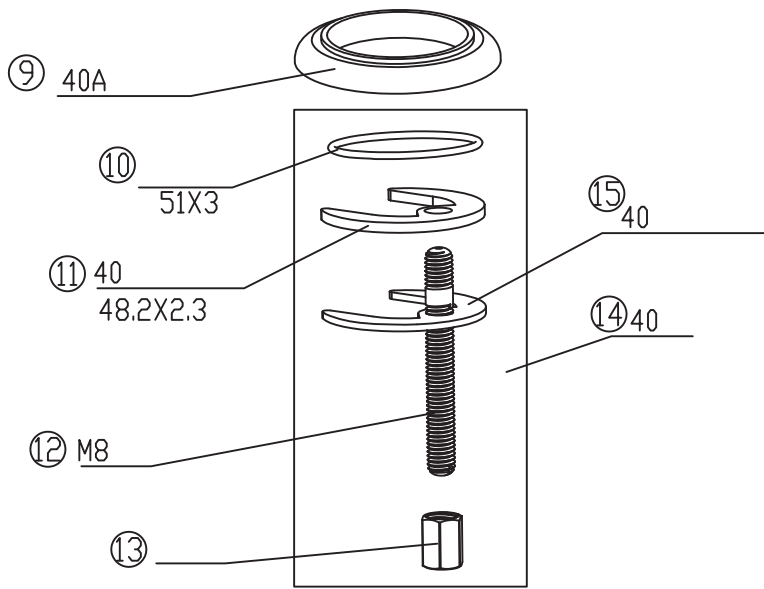
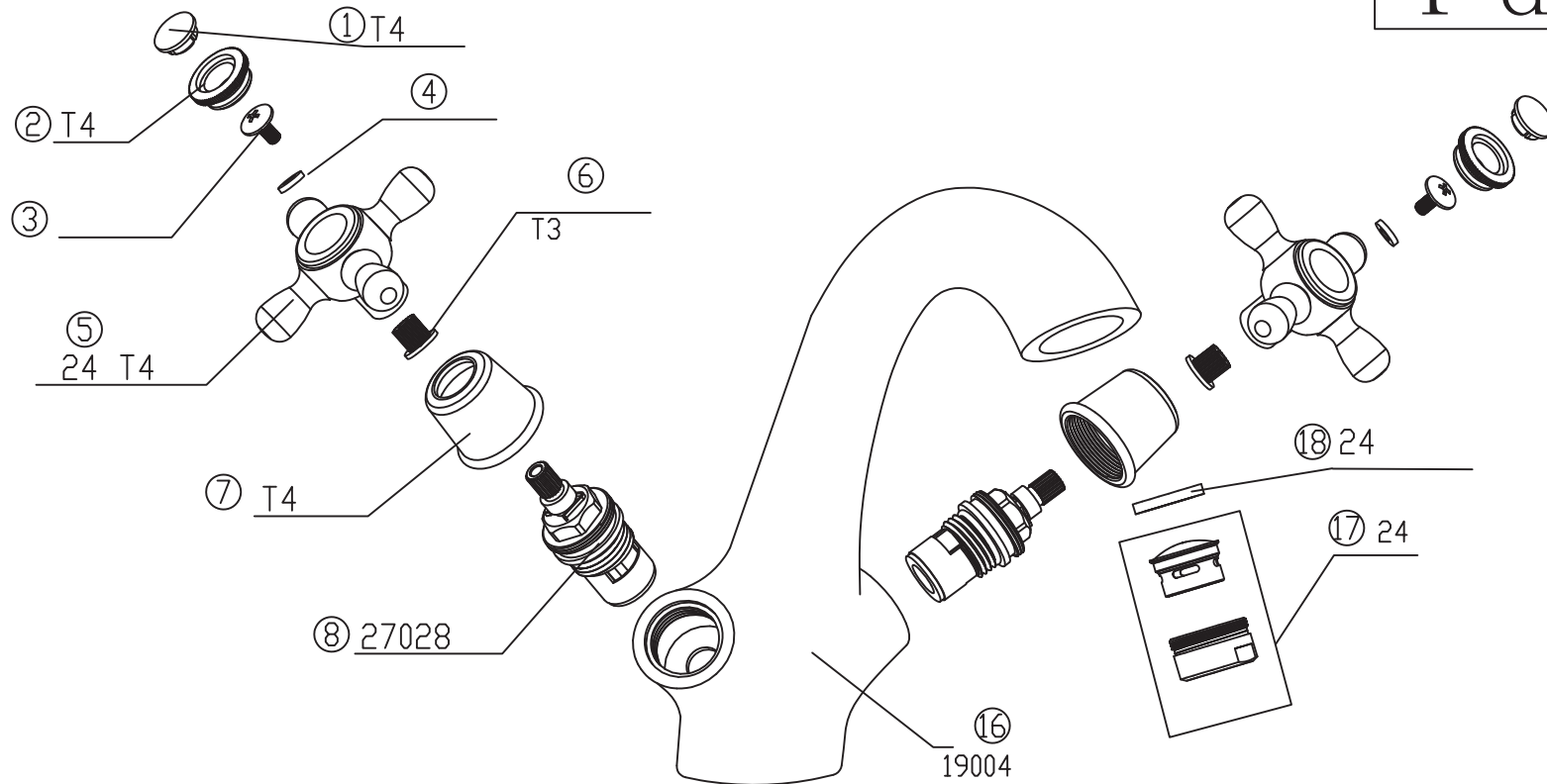


# PG16T4

# Paul Gurkes



18	8J213X158X3	24		1
17	M24021	24		1
16	80T19004	19004		1
15	80N11071K	40		1
14	N12071	40		1
13	8NM8			1
12	8BM8X070	M8	L=70	1
11	81N11071K	40		1
10	8J51X3	0	ø51X3	1
9	9DZ40A00	40A		1
8	K270280	27028	90	2
7	8ZBT4000	T4		2
6	81P24T33	T3		2
5	80P24T42	24 T4		2
4	8PD78X4X15			2
3	8FM4X15		M4X15	2
2	81P16T42	T4		2
1	82P16T42	T4		2